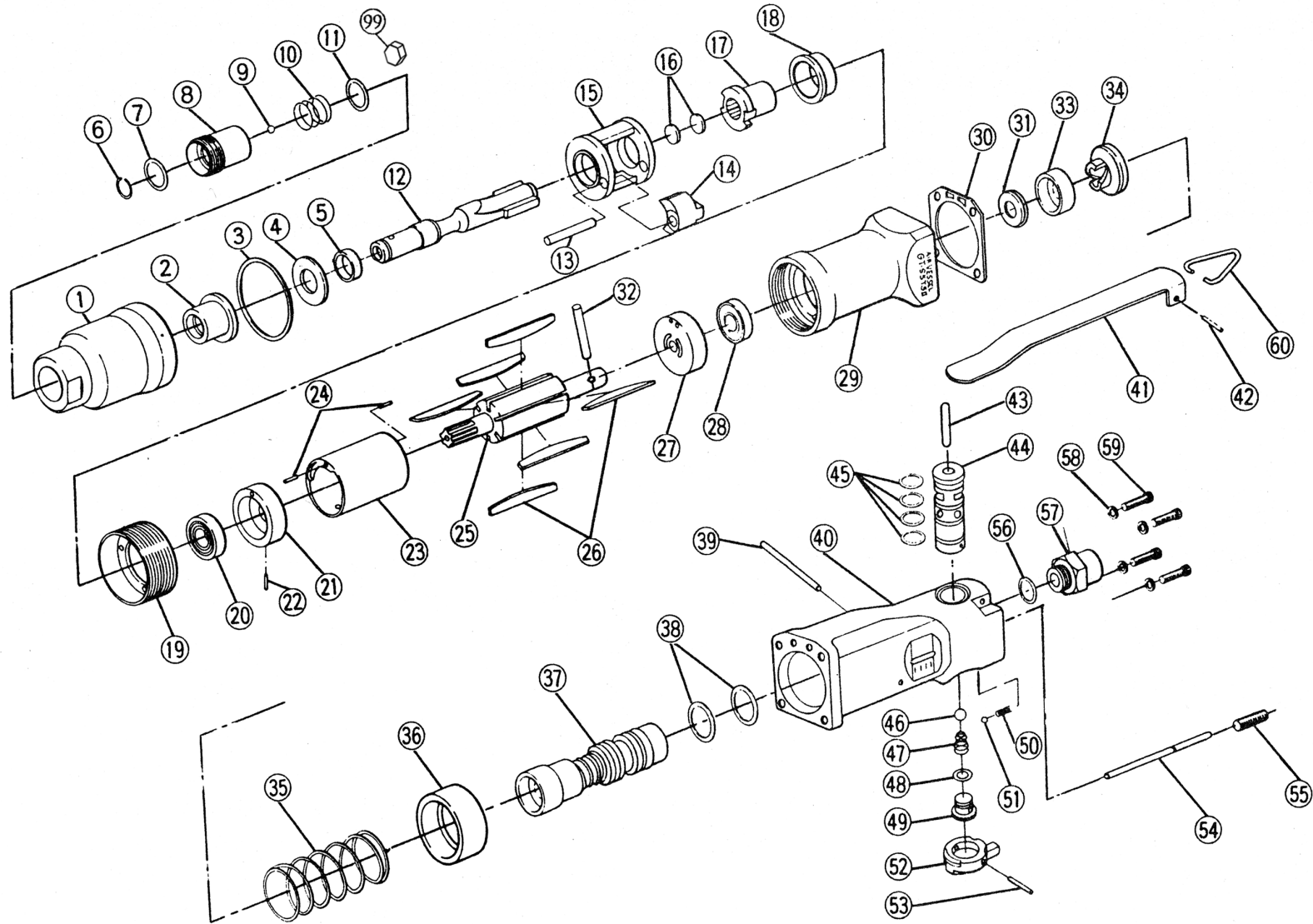


# **VESSEL**® GT-S5TS-US

## EXPLODED DIAGRAM DRAWING & PARTS LIST



Distributed By:  
JDV Products, Inc.  
22-01 Raphael Street  
Fair Lawn, NJ 07410 USA



The **EXCLUSIVE** North American Distributor of **VESSEL**

**WBENC** Certified Woman Owned Small Business

[www.vesseltools.com](http://www.vesseltools.com)

Tel: 201-796-1720  
Fax: 201-796-9399  
[www.vesseltools.com](http://www.vesseltools.com)

# **VESSEL**® **GT-S5TS-US**

## EXPLODED DIAGRAM DRAWING & PARTS LIST

| REF # | EDP #  | DESCRIPTION                | QTY REQ | PRICE    |
|-------|--------|----------------------------|---------|----------|
| 1     | 831201 | HOUSING, HAMMER W/ BUSHING | 1       | \$129.05 |
| 2     | 831202 | BUSHING, HAMMER HOUSING    | 1       | \$28.09  |
| 3     | 831203 | O-RING, HAMMER HOUSING N40 | 1       | \$2.00   |
| 4     | 831204 | WASHER, THRUST             | 1       | \$13.60  |
| 5     | 831205 | BUSHING, ANVIL             | 1       | \$13.60  |
| 6     | 831206 | C-PIN, SLEEVE RING         | 1       | \$0.29   |
| 7     | 831207 | RING FRONT, BIT SLEEVE     | 1       | \$5.90   |
| 8     | 831208 | SLEEVE, BIT                | 1       | \$23.12  |
| 9     | 831209 | BALL, BIT RETAINER 1/8     | 1       | \$0.19   |
| 10    | 831210 | SPRING, BIT SLEEVE         | 1       | \$0.70   |
| 11    | 831211 | RING REAR, BIT SLEEVE      | 1       | \$5.90   |
| 12    | 831212 | ANVIL, TORSION BAR         | 1       | \$78.26  |
| 13    | 831213 | PIN, HAMMER                | 1       | \$4.44   |
| 14    | 831214 | HAMMER                     | 1       | \$38.05  |
| 15    | 831215 | FRAME, HAMMER              | 1       | \$54.82  |
| 16    | 831216 | THRUST METAL               | 2       | \$3.17   |
| 17    | 831217 | DRIVER                     | 1       | \$36.72  |
| 18    | 831218 | SPACER                     | 1       | \$13.60  |
| 19    | 831219 | NUT, RETAINER              | 1       | \$29.01  |
| 20    | 831220 | BEARING, BALL 6900ZZ       | 1       | \$16.77  |
| 21    | 831221 | ENDPLATE, FRONT            | 1       | \$73.41  |
| 22    | 831222 | DOWEL, FRONT ENDPLATE      | 1       | \$0.29   |
| 23    | 831223 | CYLINDER                   | 1       | \$94.75  |
| 24    | 831224 | DOWEL, CYLINDER SP2x8      | 2       | \$0.29   |
| 25    | 831225 | ROTOR                      | 1       | \$53.46  |
| 26    | 831226 | BLADE, ROTOR               | 6       | \$3.49   |
| 27    | 831227 | ENDPLATE, REAR             | 1       | \$73.41  |
| 28    | 831228 | BEARING, BALL 6900ZZ       | 1       | \$16.77  |
| 29    | 831229 | HOUSING, MOTOR             | 1       | \$142.53 |
| 30    | 831230 | GASKET REAR, MOTOR HOUSING | 1       | \$1.74   |
| 31    | 831231 | WASHER, CAM CLUTCH         | 1       | \$12.24  |

| REF #             | EDP #   | DESCRIPTION                              | QTY REQ | PRICE    |
|-------------------|---------|--|---------|----------|
| 32                | 831232  | PIN, CAM CLUTCH                          | 1       | \$1.84   |
| 33                | 831233  | SLEEVE, CLUTCH                           | 1       | \$15.41  |
| 34                | 831234  | CLUTCH, CAM                              | 1       | \$109.65 |
| 35                | 831235  | SPRING, TORQUE CONTROL                   | 1       | \$9.99   |
| 36                | 831236  | RETAINER, TORQUE CONTROL SPRING          | 1       | \$28.54  |
| 37                | 831237  | STOP VALVE                               | 1       | \$109.65 |
| 38                | 831238  | O-RING, STOP VALVE P15                   | 2       | \$0.70   |
| 39                | 831239  | PIN, STOP VALVE SP3x28                   | 1       | \$7.26   |
| 40                | 831240  | HOUSING, THROTTLE                        | 1       | \$222.75 |
| 41                | 831241  | LEVER, THROTTLE                          | 1       | \$6.60   |
| 42                | 831242  | PIN, THROTTLE LEVER                      | 1       | \$0.38   |
| 43                | 831243  | THROTTLE                                 | 1       | \$5.99   |
| 44                | 831244  | VALVE, REVERSE                           | 1       | \$37.99  |
| 45                | 831245  | O-RING, REV. VALVE N11.2                 | 4       | \$0.51   |
| 46                | 831246  | BALL, VALVE 9/32                         | 1       | \$1.36   |
| 47                | 831247  | SPRING, THROTTLE                         | 1       | \$1.24   |
| 48                | 831248  | PACKING, REVERSE N6                      | 1       | \$0.38   |
| 49                | 831249  | RETAINER, THROTTLE SPRING                | 1       | \$3.01   |
| 50                | 831250  | SPRING, REV. LEVER RETAINER S3.3x7x0.4   | 1       | \$0.29   |
| 51                | 831251  | BALL, REV. THROTTLE LEVER RETAINER 3.5mm | 1       | \$0.19   |
| 52                | 831252  | LEVER, REVERSE                           | 1       | \$28.54  |
| 53                | 831253  | PIN, REV. LEVER RETAINER SP2x20          | 1       | \$ 0.29  |
| 54                | 831254  | ROD, TORQUE CONTROL                      | 1       | \$9.99   |
| 55                | 831255  | SCREW, TORQUE ADJUSTMENT                 | 1       | \$2.19   |
| 56                | 831256  | O-RING, AIR INLET BUSHING N11.2          | 1       | \$0.51   |
| 57                | 831257  | BUSHING, AIR INLET                       | 1       | \$7.71   |
| 58                | 831258  | SPRING WASHER BOLT                       | 4       | \$0.16   |
| 59                | 831259  | HEX CAP BOLT M4x16                       | 4       | \$0.41   |
| 60                | 831260  | BAIL, SUSPENSION                         | 1       | \$2.60   |
| 99                | A-16339 | HEX INSERT                               | 1       | CALL     |
| <b>GT-S5TS-US</b> |         | 311211 / AIR SCREWDRIVER                 |         | 1426.00  |

**Distributed By:**  
**JDV Products, Inc.**  
**22-01 Raphael Street**  
**Fair Lawn, NJ 07410 USA**



**The EXCLUSIVE North American Distributor of VESSEL**

**WBENC** Certified Woman Owned Small Business

**www.vesseltools.com**

**Tel: 201-796-1720**  
**Fax: 201-796-9399**  
**www.vesseltools.com**