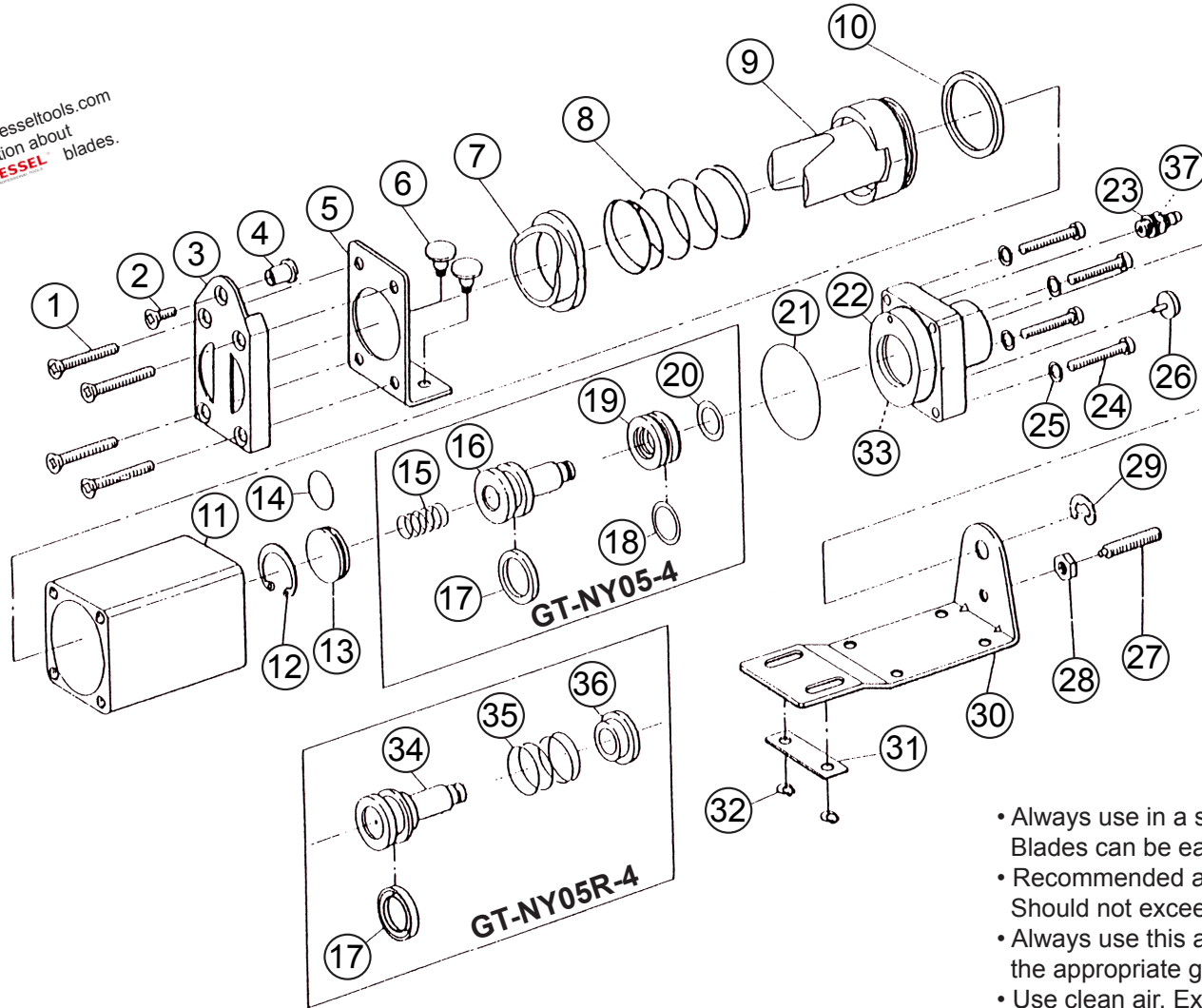


38

Call or visit www.vesseltools.com
for information about
replacement **VESSEL** blades.



- Always use in a safe and appropriate manner. Blades can be easily damaged if used improperly.
- Recommended air pressure 60~80 PSI. Should not exceed 100 PSI.
- Always use this and all power tools with the appropriate gear (IE goggles, gloves, ect.)
- Use clean air. Excessive oil and moisture will compromise the life of tools.

Distributed By:
JDV Products, Inc.
22-01 Raphael Street
Fair Lawn, NJ 07410 USA



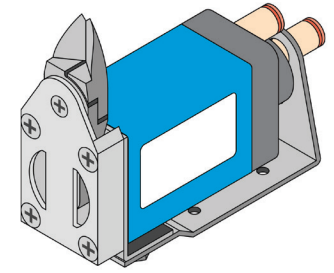
The **EXCLUSIVE** North American Distributor of **VESSEL**

WBENC Certified Woman Owned Small Business

www.vesseltools.com

Tel: 201-796-1720
Fax: 201-796-9399
www.vesseltools.com

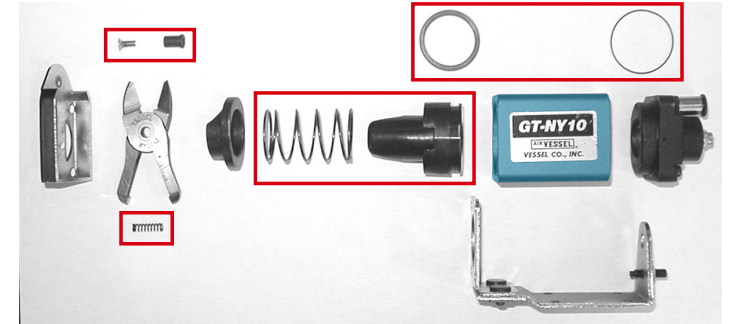
EXPLODED DIAGRAM DRAWING & PARTS LIST



REF #	EDP #	DESCRIPTION	JDV ORDER PART #	PRICE
1	854001	BLADE PLATE SCREW, M3*16	854001	\$1.36
2	854002 *	BLADE MOUNTING SCREW, M3*8	854102	\$1.36
3	854003	BLADE PLATE	854003	\$22.67
4	854004 *	PIN, BLADE MOUNT'G(8.75mm)	854104	\$7.71
5	854005	GUIDE PLATE	854005	\$18.14
6	854006	SLIDE PIN	854006	\$6.34
7	854007	BUSHING, GUIDE PLATE	854007	\$30.82
8	854008 *	SPRING, MAIN	854008	\$2.73
9	854009 *	PISTON, MAIN	854009	\$24.92
10	854010 *	U-RING UH18.5-22.5-2.8	854010	\$10.43
11	854011	HOUSING	854011	\$67.95
12	854012	SNAP RING RTW-14	854012	\$1.00
13	854013	STOPPER PLATE	854013	\$3.65
14	854014	O-RING S12, (STOPPER PLATE)	854218	\$1.36
15	854015	SLIDE SPRING	854015	\$1.36
16	854016	PISTON, SLIDE	854016	\$12.24
17	854017	U-RING UH9.6-13.9-2.7	854017	\$7.26
18	854018	O-RING S10	854118	\$1.36
19	854019	SLEEVE, PISTON	854019	\$9.07
20	854020	O-RING P8	854120	\$1.24
21	854021	O-RING S0-006-24	854021	\$6.34
22	854022	CAP, SLIDE PISTON	854022	\$54.38
23	854023	HOSE NIPPLE BF-5	854123	\$5.45
24	854024	HEX CAP BOLT, M3x16	854024	\$1.59
25	854025	WASHER, 3x6x0.5	854125	\$1.00
26	854026	LOCKING PLATE	854026	\$2.73
27	854027	BOLT M4*20, SLIDE ADJUSTMENT	854027	\$2.06
28	854028	NUT, HEX (M4)(SLIDE ADJUSTMENT)	854128	\$0.57
29	854029	E-RING ETWJ-5	854129	\$1.00

REF #	EDP #	DESCRIPTION	JDV ORDER PART #	PRICE
30	854030	SLIDE BASE	854030	\$28.09
31	854031	SLIDE PLATE	854031	\$9.07
32	854032	E-RING ETWJ-2.5	854132	\$1.00
33	854040	CAP, SLIDE PISTON	854040	\$54.38
34	854041	PISTON SLIDE	854041	\$12.24
35	854042	SLIDE SPRING	854042	\$1.59
36	854043	SLEEVE, PISTON	854043	\$9.07
37	854060	TUBE JOINT POC-4-M5M	854160	\$10.65
38	BLDSPR/10 *	859111 / BLADE SPRING	BLDSPR/10	\$3.00
38	859111-10	10pc PACK, BLDSPR/10 BLADE SPRING	859111-10	\$19.00
*	RK-NY05	SPARE PARTS REBUILD PACKAGE	RK-NY05	\$45.00
	GT-NY05-4	AIR NIPPER W/ HOSE FITTING 4mm (PULL)	GT-NY05-4	\$345.00
	GT-NY05R-4	AIR NIPPER W/ HOSE FITTING 4mm (PUSH)	GT-NY05R-4	\$345.00

RK-NY05 - Spare Parts / Rebuild Kit



Distributed By:
JDV Products, Inc.
22-01 Raphael Street
Fair Lawn, NJ 07410 USA



The **EXCLUSIVE** North American Distributor of **VESSEL**

WBENC Certified Woman Owned Small Business

www.vesseltools.com

Tel: 201-796-1720
Fax: 201-796-9399
www.vesseltools.com