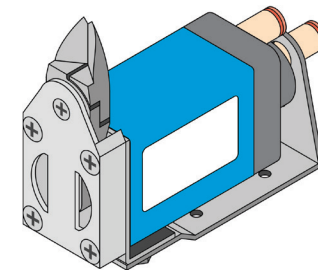


VESSEL[®] GT-NY10-4 (R-4)

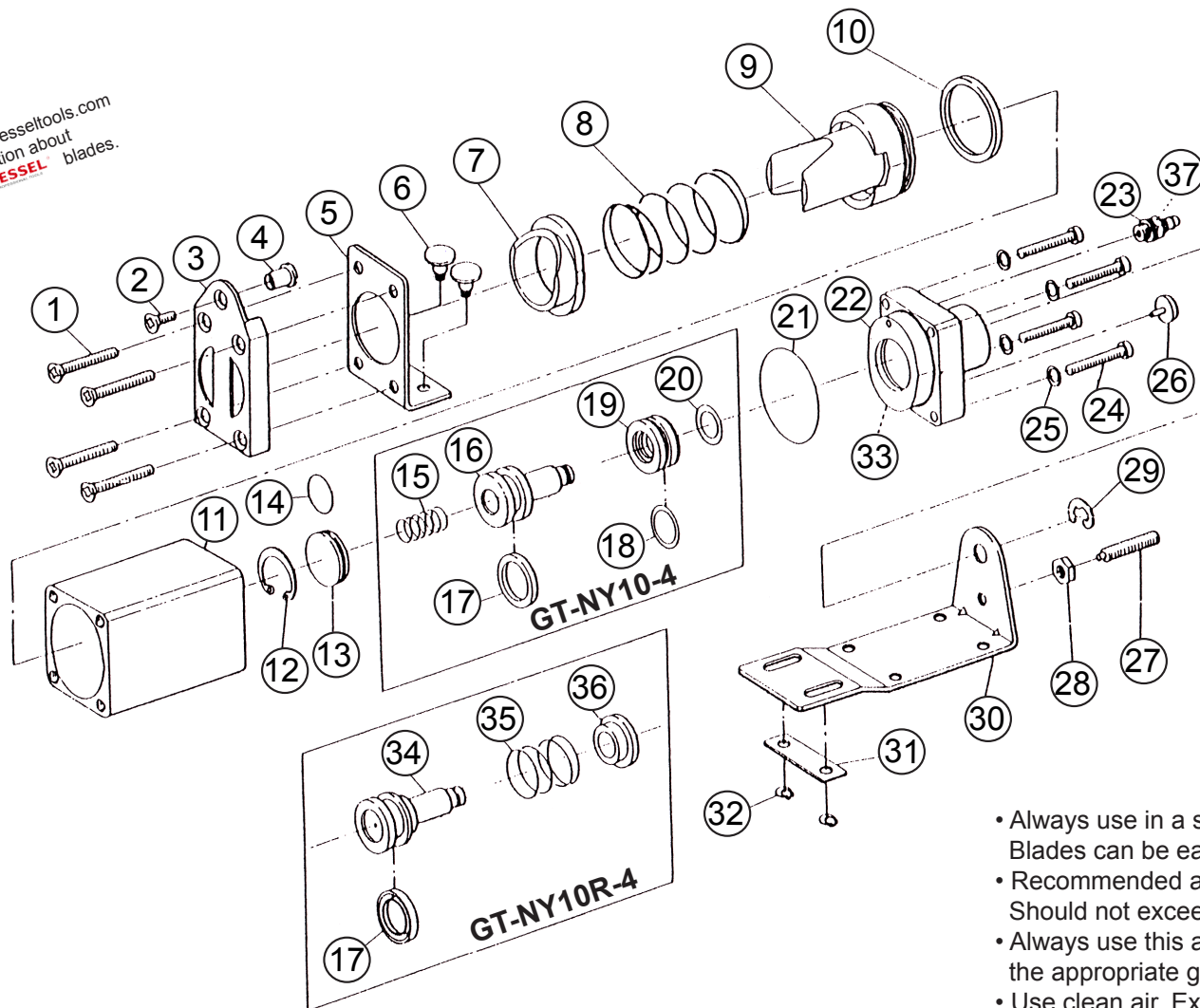
PROFESSIONAL TOOLS

EXPLODED DIAGRAM DRAWING & PARTS LIST



38

Call or visit www.vesseltools.com
for information about
replacement **VESSEL** blades.



- Always use in a safe and appropriate manner. Blades can be easily damaged if used improperly.
- Recommended air pressure 60~80 PSI. Should not exceed 100 PSI.
- Always use this and all power tools with the appropriate gear (IE goggles, gloves, ect.)
- Use clean air. Excessive oil and moisture will compromise the life of tools.

Distributed By:
JDV Products, Inc.
22-01 Raphael Street
Fair Lawn, NJ 07410 USA



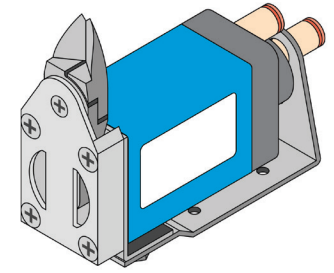
The **EXCLUSIVE** North American Distributor of **VESSEL**

WBENC Certified Woman Owned Small Business

www.vesseltools.com

Tel: 201-796-1720
Fax: 201-796-9399
www.vesseltools.com

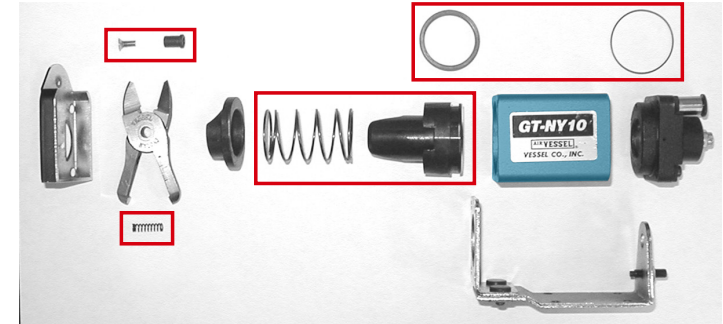
EXPLODED DIAGRAM DRAWING & PARTS LIST



REF #	EDP #	DESCRIPTION	JDV ORDER PART #	PRICE
1	854101	BLADE PLATE SCREW, M3.5*20	854101	\$1.59
2	854102 *	BLADE MOUNTING SCREW, M3*8	854102	\$1.36
3	854103	BLADE PLATE	854103	\$23.56
4	854104 *	PIN, BLADE MOUNTING(8.75mm)	854104	\$7.71
5	854105	GUIDE PLATE	854105	\$19.03
6	854106	SLIDE PIN	854106	\$6.34
7	854107	BUSHING, GUIDE PLATE	854107	\$31.71
8	854108 *	SPRING, MAIN	854108	\$2.95
9	854109 *	PISTON, MAIN	854109	\$27.21
10	854110 *	U-RING UH22-26-2.7	854110	\$10.88
11	854111	HOUSING	854111	\$72.49
12	854112	SNAP RING RTW-16	854112	\$1.14
13	854113	STOPPER PLATE	854113	\$3.87
14	854114	O-RING S14, (STOPPER PLATE)	854114	\$1.27
15	854115	SLIDE SPRING	854115	\$1.59
16	854116	PISTON SLIDE	854116	\$13.6
17	854117	U-RING UH12-16-2.7	854117	\$8.18
18	854118	O-RING S10	854118	\$1.36
19	854119	SLEEVE, PISTON	854119	\$9.51
20	854120	O-RING P8	854120	\$1.24
21	854121	O-RING S0-006-28	854121	\$6.34
22	854122	CAP, SLIDE PISTON	854122	\$58.91
23	854123	HOSE NIPPLE BF-5	854123	\$5.45
24	854124	HEX CAP BOLT, M3x20	854124	\$1.84
25	854125	WASHER, 3x6x0.5	854125	\$1.00
26	854126	LOCKING PLATE	854126	\$4.53
27	854127	BOLT M4*16, SLIDE ADJUSTMENT	854127	\$2.06
28	854128	NUT, HEX (M4)(SLIDE ADJUSTMENT)	854128	\$1.00
29	854129	E-RING ETWJ-5	854129	\$1.00

REF #	EDP #	DESCRIPTION	JDV ORDER PART #	PRICE
30	854130	SLIDE BASE	854130	\$29.46
31	854131	SLIDE PLATE	854131	\$9.99
32	854132	E-RING ETWJ-2.5	854132	\$1.00
33	854140	CAP, SLIDE PISTON	854140	\$58.91
34	854141	PISTON, SLIDE	854141	\$13.6
35	854142	SLIDE SPRING	854142	\$1.59
36	854143	SLEEVE, PISTON	854143	\$9.51
37	854160	TUBE JOINT POC-4-M5M	854160	\$10.65
38	BLDSPR/07 *	859110 / BLADE SPRING	BLDSPR/07	\$3.00
38	859110-10	10pc PACK, BLDSPR/07 BLADE SPRING	859110-10	\$19.00
*	RK-NY10	SPARE PARTS REBUILD PACKAGE	RK-NY10	\$50.00
	GT-NY10-4	AIR NIPPER W/ HOSE FITTING 4mm (PULL)	GT-NY10-4	\$354.00
	GT-NY10R-4	AIR NIPPER W/ HOSE FITTING 4mm (PUSH)	GT-NY10R-4	\$354.00

RK-NY10 - Spare Parts / Rebuild Kit



Distributed By:
JDV Products, Inc.
22-01 Raphael Street
Fair Lawn, NJ 07410 USA



The **EXCLUSIVE** North American Distributor of **VESSEL**

WBENC Certified Woman Owned Small Business

www.vesseltools.com

Tel: 201-796-1720
Fax: 201-796-9399
www.vesseltools.com