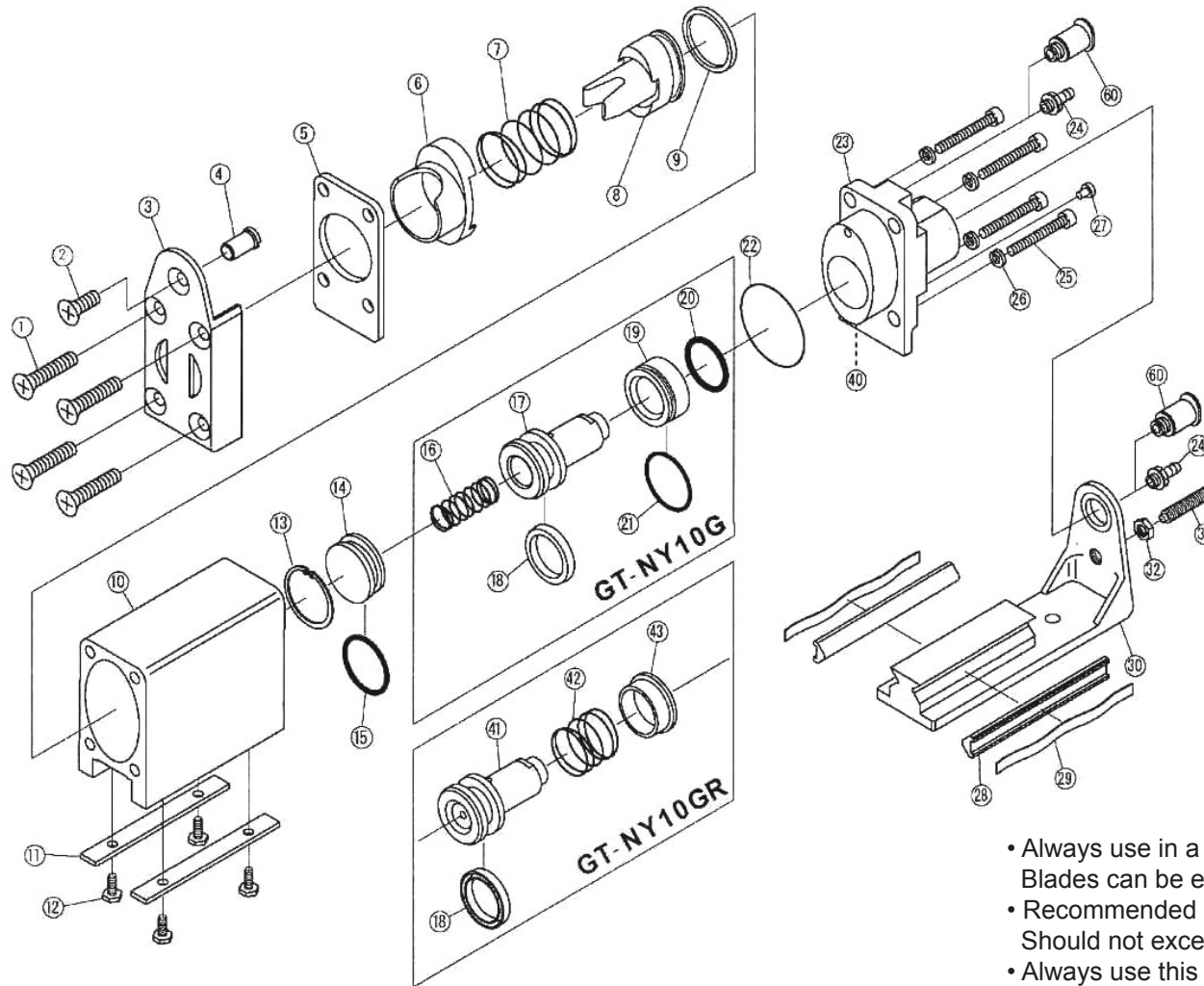
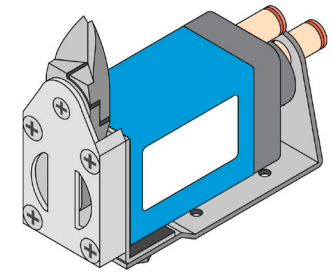


VESSEL® GT-NY10G-4 (R-4)

EXPLODED DIAGRAM DRAWING & PARTS LIST



- Always use in a safe and appropriate manner. Blades can be easily damaged if used improperly.
- Recommended air pressure 60~80 PSI. Should not exceed 100 PSI.
- Always use this and all power tools with the appropriate gear (IE goggles, gloves, ect.)
- Use clean air. Excessive oil and moisture will compromise the life of tools.

Distributed By:
JDV Products, Inc.
 22-01 Raphael Street
 Fair Lawn, NJ 07410 USA



The **EXCLUSIVE** North American Distributor of **VESSEL**

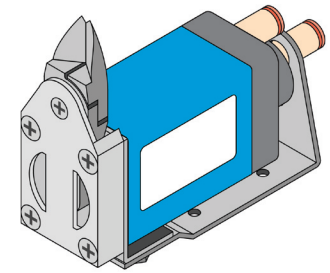
WBENC Certified Woman Owned Small Business

www.vesseltools.com

Tel: 201-796-1720
 Fax: 201-796-9399
www.vesseltools.com

VESSEL® GT-NY10G-4 (R-4)

EXPLODED DIAGRAM DRAWING & PARTS LIST



REF #	EDP #	DESCRIPTION	# REQ	X-REF #	PRICE
1	85XX01	SCREW M3.5 x20	4	854101	
2	85XX02	SCREW M3x8, BLADE MOUNTING	1	854102	
3	85XX03	BLADE PLATE	1	854103	
4	85XX04	PIN, BLADE MOUNTING	1	854104	
5	85XX05	GUIDE PLATE	1	-	
6	85XX06	BUSHING, GUIDE PLATE	1	-	
7	85XX07	SPRING, MAIN	1	854108	
8	85XX08	PISTON, MAIN	1	854109	
9	85XX09	U-RING UH22-26-2.8	1	854110	
10	85XX10	HOUSING	1	-	
11	85XX11	WASHER, SLIDE BASE	2	-	
12	85XX12	BOLT, SLIDE BASE	4	-	
13	85XX13	SNAP RING RTW-16	1	854112	
14	85XX14	STOPPER PLATE	1	854113	
15	85XX15	O-RING S14	1	854114	
16	85XX16	SLIDE SPRING	1	854115	
17	85XX17	PISTON, SLIDE	1	854116	
18	85XX18	U-RING UH12-16-2.7	1	854117	
19	85XX19	SLEEVE, PISTON	1	854119	
20	85XX20	O-RING P8	1	854120	

REF #	EDP #	DESCRIPTION	# REQ	X-REF #	PRICE
21	85XX21	O-RING S10	1	854118	
22	85XX22	O-RING S0-007-14	1	-	
23	85XX23	CAP, SLIDE PISTON	1	-	
24	85XX24	HOSE NIPPLE BF-5-SUS	2	854123	
25	85XX25	HEX CAP BOLT M3x20	4	854124	
26	85XX26	WASHER, SPRING SPW-3	4	854125	
27	85XX27	LOCKING PLATE	1	854126	
28	85XX28	SLIDE PLATE	2	-	
29	85XX29	SPRING PLATE	2	-	
30	85XX30	SLIDE BASE	1	-	
31	85XX31	BOLT M4x20, SLIDE ADJUSTMENT	1	-	
32	85XX32	NUT M4, SLIDE ADJUSTMENT	1	854128	
40	85XX40	CAP, SLIDE PISTON	1		
41	85XX41	PISTON, SLIDE	1	854141	
42	85XX42	SLIDE SPRING	1	854142	
43	85XX43	SLEEVE, PISTON	1	854143	
60	85XX60	TUBE JOINT POC-4-M5M	2	854160	
61	BLDSPR/07	BLADE SPRING	1	--	
GT-NY10G-4		360755 / AIR NIPPER, ``PULL``			\$379.00
GT-NY10GR-4		360756 / AIR NIPPER, ``PUSH``			\$379.00

Distributed By:
JDV Products, Inc.
 22-01 Raphael Street
 Fair Lawn, NJ 07410 USA



Tel: 201-796-1720
 Fax: 201-796-9399
www.vesseltools.com

The **EXCLUSIVE** North American Distributor of **VESSEL**

WBENC Certified Woman Owned Small Business

www.vesseltools.com

Rev. 02/11/13

Price Lists\Exploded Views\Nippers

A-16168