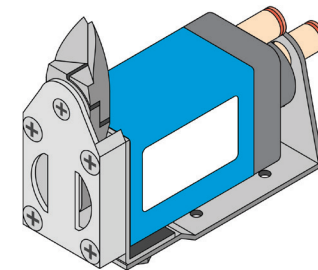


# VESSEL<sup>®</sup> GT-NY15-4 (R-4)

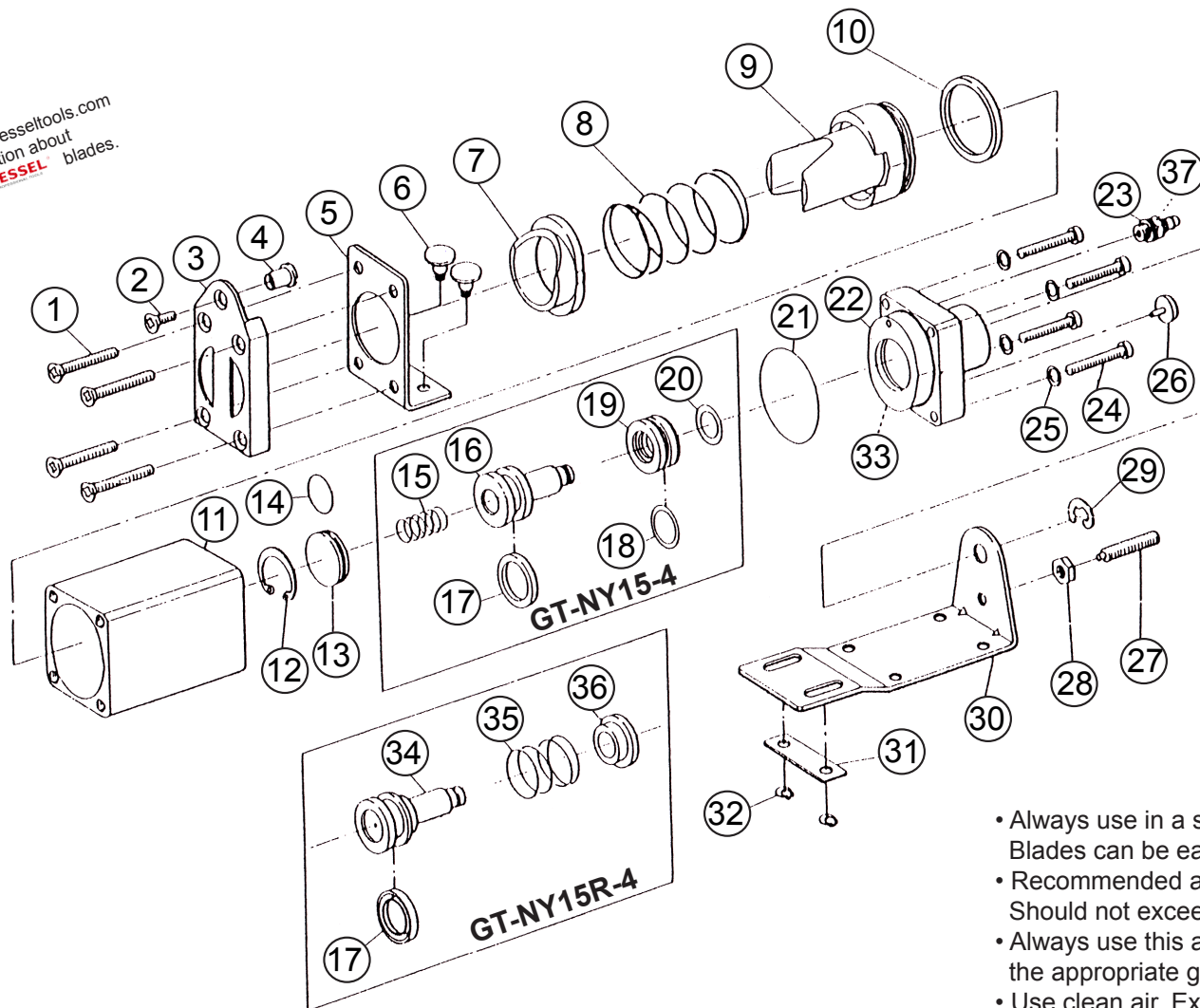
PROFESSIONAL TOOLS

## EXPLODED DIAGRAM DRAWING & PARTS LIST



38

Call or visit [www.vesseltools.com](http://www.vesseltools.com)  
for information about  
replacement **VESSEL** blades.



- Always use in a safe and appropriate manner. Blades can be easily damaged if used improperly.
- Recommended air pressure 60~80 PSI. Should not exceed 100 PSI.
- Always use this and all power tools with the appropriate gear (IE goggles, gloves, ect.)
- Use clean air. Excessive oil and moisture will compromise the life of tools.

**Distributed By:**  
JDV Products, Inc.  
22-01 Raphael Street  
Fair Lawn, NJ 07410 USA



The **EXCLUSIVE** North American Distributor of **VESSEL**

**WBENC** Certified Woman Owned Small Business

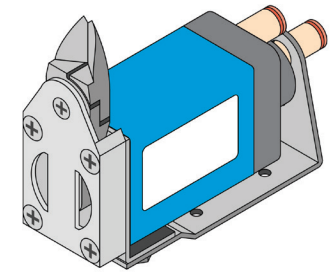
[www.vesseltools.com](http://www.vesseltools.com)

Tel: 201-796-1720  
Fax: 201-796-9399  
[www.vesseltools.com](http://www.vesseltools.com)

# VESSEL<sup>®</sup> GT-NY15-4 (R-4)

PROFESSIONAL TOOLS

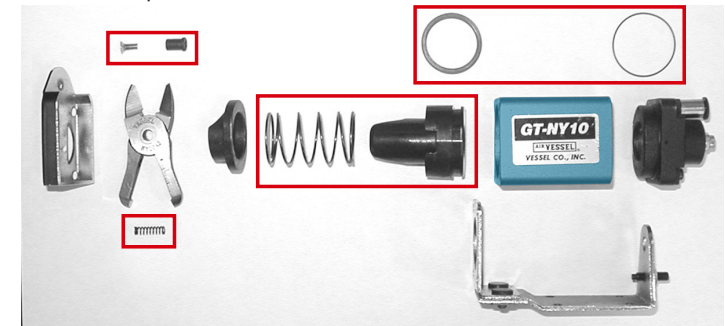
## EXPLODED DIAGRAM DRAWING & PARTS LIST



REF #	EDP #	DESCRIPTION	JDV ORDER PART #	PRICE
1	854201	BLADE PLATE SCREW, M4*20	854201	\$1.84
2	854202 *	BLADE MOUNTING SCREW, M3*10	854202	\$1.36
3	854203	BLADE PLATE	854203	\$24.92
4	854204 *	PIN BLADE MOUNTING	854204	\$8.62
5	854205	GUIDE PLATE	854205	\$19.94
6	854206	SLIDE PIN	854206	\$6.82
7	854207	BUSHING, GUIDE PLATE	854207	\$32.63
8	854208 *	SPRING, MAIN	854208	\$3.17
9	854209 *	PISTON, MAIN	854209	\$28.54
10	854210 *	U-RING UH26.7-32.7-4.2	854210	\$12.24
11	854211	HOUSING	854211	\$77.02
12	854212	SNAP RING RTW-18	854212	\$1.36
13	854213	STOPPER PLATE	854213	\$4.09
14	854214	O-RING S14, (STOPPER PLATE)	854214	\$1.65
15	854215	SLIDE SPRING	854215	\$2.73
16	854216	PISTON SLIDE	854216	\$14.97
17	854217	U-RING UH13.9-17.9-2.8	854217	\$9.07
18	854218	O-RING S12	854218	\$1.36
19	854219	SLEEVE, PISTON	854219	\$9.99
20	854220	O-RING P9	854220	\$1.52
21	854221	O-RING S0-006-33	854221	\$7.26
22	854222	CAP, SLIDE PISTON	854222	\$67.95
23	854223	HOSE NIPPLE BF-5	854223	\$5.45
24	854224	HEX CAP BOLT, M4x20	854224	\$1.84
25	854225	WASHER, 4x8x0.5	854225	\$1.00
26	854226	LOCKING PLATE	854226	\$4.53
27	854227	BOLT M5*20, SLIDE ADJUSTMENT	854227	\$2.28
28	854228	NUT, HEX (M5)(SLIDE ADJUSTMENT)	854228	\$1.00
29	854229	E-RING ETWJ-5	854229	\$1.00

REF #	EDP #	DESCRIPTION	JDV ORDER PART #	PRICE
30	854230	SLIDE BASE	854230	\$35.36
31	854231	SLIDE PLATE	854231	\$10.88
32	854232	E-RING ETWJ-2.5	854232	\$1.00
33	854240	CAP, SLIDE PISTON	854240	\$67.95
34	854241	PISTON, SLIDE	854241	\$14.97
35	854242	SLIDE SPRING	854242	\$2.06
36	854243	SLEEVE, PISTON	854243	\$9.99
37	854260	TUBE JOINT POC-4-M5M	854260	\$10.65
38	BLDSPR/07 *	859110 / BLADE SPRING	BLDSPR/07	\$3.00
38	859110-10	10pc PACK, BLDSPR/07 BLADE SPRING	859110-10	\$19.00
*	RK-NY15	SPARE PARTS REBUILD PACKAGE	RK-NY15	\$55.00
	GT-NY15-4	AIR NIPPER W/ HOSE FITTING 4mm (PULL)	GT-NY15-4	\$365.00
	GT-NY15R-4	AIR NIPPER W/ HOSE FITTING 4mm (PUSH)	GT-NY15R-4	\$365.00

RK-NY15 - Spare Parts / Rebuild Kit



Distributed By:  
**JDV Products, Inc.**  
 22-01 Raphael Street  
 Fair Lawn, NJ 07410 USA



The **EXCLUSIVE** North American Distributor of **VESSEL**

**WBENC** Certified Woman Owned Small Business

[www.vesseltools.com](http://www.vesseltools.com)

Tel: 201-796-1720  
 Fax: 201-796-9399  
[www.vesseltools.com](http://www.vesseltools.com)