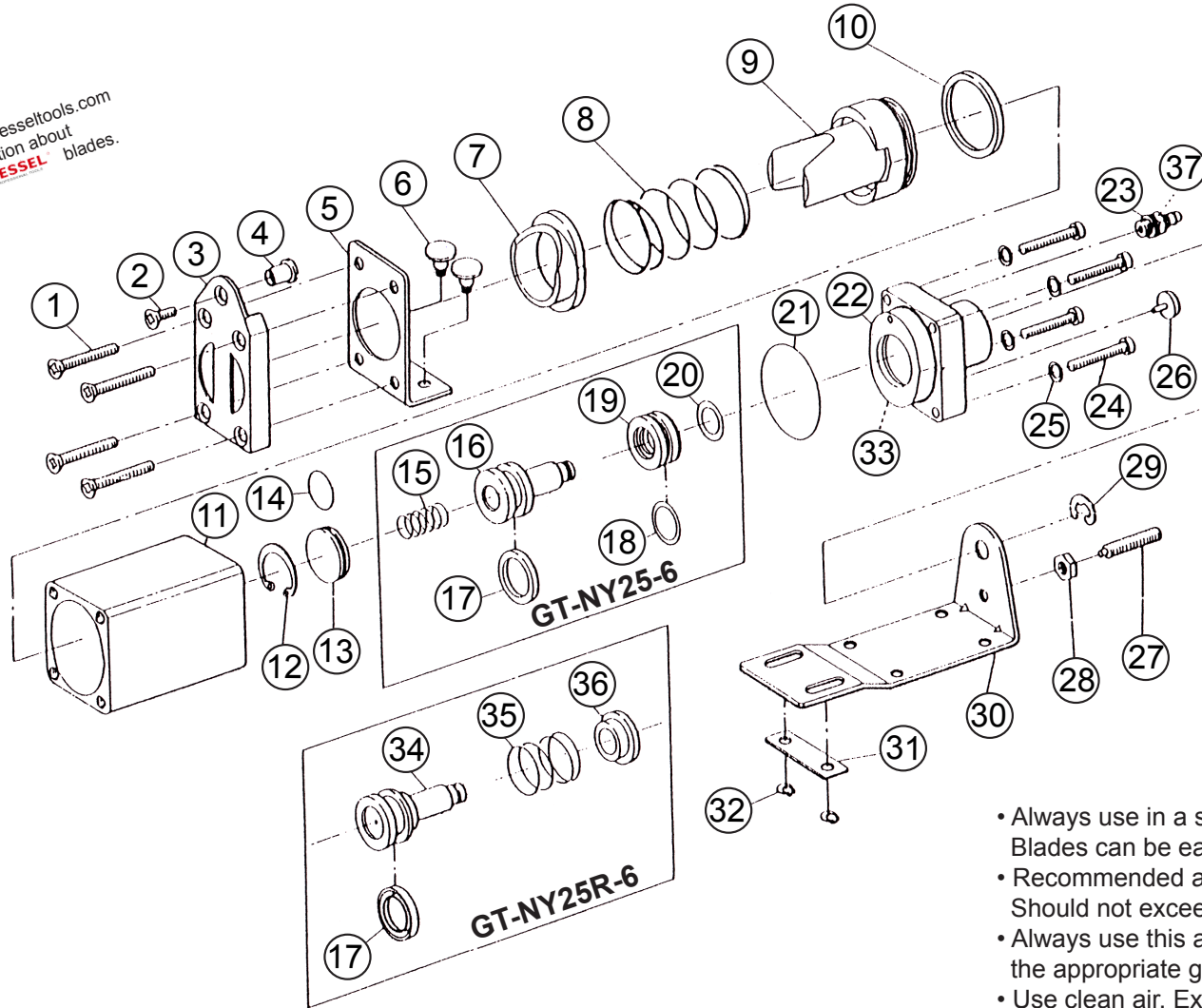


40

Call or visit [www.vesseltools.com](http://www.vesseltools.com)  
for information about  
replacement **VESSEL** blades.



- Always use in a safe and appropriate manner. Blades can be easily damaged if used improperly.
- Recommended air pressure 60~80 PSI. Should not exceed 100 PSI.
- Always use this and all power tools with the appropriate gear (IE goggles, gloves, ect.)
- Use clean air. Excessive oil and moisture will compromise the life of tools.

**Distributed By:**  
JDV Products, Inc.  
22-01 Raphael Street  
Fair Lawn, NJ 07410 USA



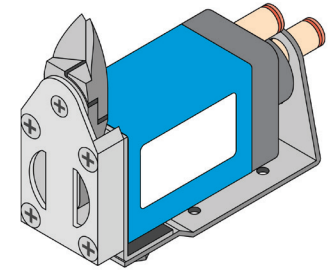
The **EXCLUSIVE** North American Distributor of **VESSEL**

**WBENC** Certified Woman Owned Small Business

[www.vesseltools.com](http://www.vesseltools.com)

Tel: 201-796-1720  
Fax: 201-796-9399  
[www.vesseltools.com](http://www.vesseltools.com)

## EXPLODED DIAGRAM DRAWING & PARTS LIST

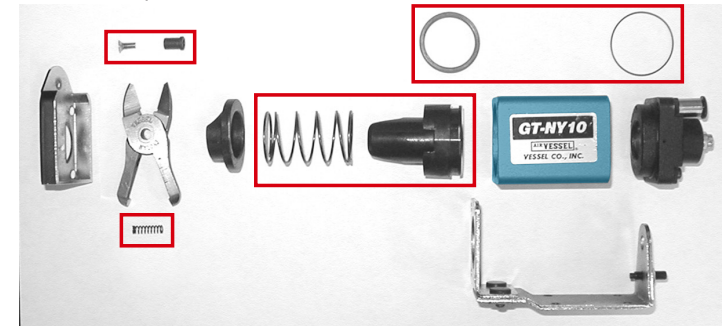


REF #	EDP #	DESCRIPTION	JDV ORDER PART #	PRICE
1	854301	BLADE PLATE SCREW, M5*30	854301	\$2.06
2	854302 *	BLADE MOUNTING SCREW, M4*12	854302	\$1.84
3	854303	BLADE PLATE	854303	\$27.21
4	854304 *	PIN, BLADE MOUNTING	854304	\$9.07
5	854305	GUIDE PLATE	854305	\$22.67
6	854306	SLIDE PIN	854306	\$8.18
7	854307	BUSHING, GUIDE PLATE	854307	\$37.16
8	854308 *	SPRING, MAIN	854308	\$3.42
9	854309 *	PISTON, MAIN	854309	\$33.55
10	854310 *	U-RING UH41-35-4.2	854310	\$13.60
11	854311	HOUSING	854311	\$81.55
12	854312	SNAP RING RTW-20	854312	\$1.59
13	854313	STOPPER PLATE	854313	\$4.53
14	854314	O-RING S18, (STOPPER PLATE)	854314	\$1.65
15	854315	SLIDE SPRING	854315	\$3.17
16	854316	PISTON, SLIDE	854316	\$15.85
17	854317	U-RING UH15.9-19.9-2.8	854317	\$11.35
18	854318	O-RING S15	854318	\$1.36
19	854319	SLEEVE, PISTON	854319	\$11.35
20	854320	O-RING P11	850413	\$2.04
21	854321	O-RING S0-006-33	854221	\$7.26
22	854322	CAP, SLIDE PISTON	854322	\$77.02
23	854323	HOSE NIPPLE BF-6-SUS	854323	\$6.82
24	854324	HEX CAP BOLT, M5x20	854324	\$1.84
25	854325	WASHER, 5x10x10	854325	\$1.00
26	854326	LOCKING PLATE	854326	\$5.45
27	854327	BOLT M5*25, SLIDE ADJUSTMENT	854327	\$2.50
28	854328	NUT, HEX (M6)(SLIDE ADJUSTMENT)	854328	\$1.00
29	854329	E-RING ETWJ-8	854329	\$1.00
30	854330	SLIDE BASE	854330	\$38.53

REF #	EDP #	DESCRIPTION	JDV ORDER PART #	PRICE
31	854331	SLIDE PLATE	854331	\$11.35
32	854332	BOLT, SLIDE BASE	854332	\$6.34
33	854333	O-RING S0-030-8	854333	\$1.59
34	854334	COVER, O-RING	854334	\$4.53
35	854340	CAP, SLIDE PISTON	854340	\$77.02
36	854341	PISTON, SLIDE	854341	\$15.85
37	854342	SLIDE SPRING	854342	\$3.17
38	854343	SLEEVE, PISTON	854343	\$11.35
39	854360	TUBE JOINT POC-6-M5M	854360	\$11.35
40	BLDSPR/11 *	859114 / BLADE SPRING	BLDSPR/	\$3.00
40	859114-10	10pc PACK, BLDSPR/11 BLADE SPRING	859114-10	\$19.00

*	RK-NY25	SPARE PARTS REBUILD PACKAGE	RK-NY25	\$60.00
	GT-NY25-6	AIR NIPPER W/ AIR HOSE 6MM (PULL)	GT-NY25-6	\$403.00
	GT-NY26R-6	AIR NIPPER W. HOSE FITTING, 6MM (PUSH)	GT-NY25R-6	\$403.00

RK-NY25 - Spare Parts / Rebuild Kit



**Distributed By:**  
JDV Products, Inc.  
22-01 Raphael Street  
Fair Lawn, NJ 07410 USA



The **EXCLUSIVE** North American Distributor of **VESSEL**

**WBENC** Certified Woman Owned Small Business

[www.vesseltools.com](http://www.vesseltools.com)

Tel: 201-796-1720  
Fax: 201-796-9399  
[www.vesseltools.com](http://www.vesseltools.com)