

*Never been in the Market!*

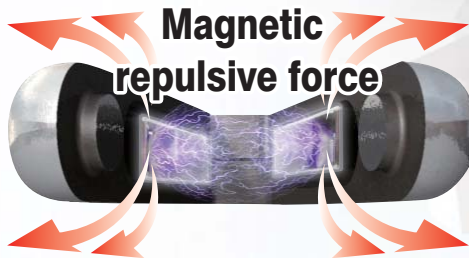
# NEW **NM** AIR NIPPER **BLADE**

Patented

**The world's first "spring-free" air nipper blades, which utilize repulsive force of neodymium magnet.**




**Powerful  
neodymium  
magnet**

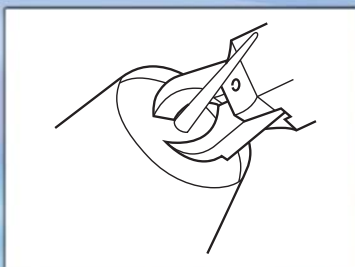



 *NM blades shut down the Spring breakage.*

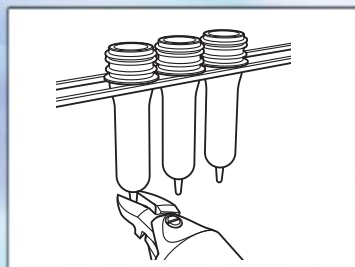
 *Applicable to your VESSEL current air nipper.*


 *Spring replacement is no longer required as the neodymium magnet works semi-permanently.*

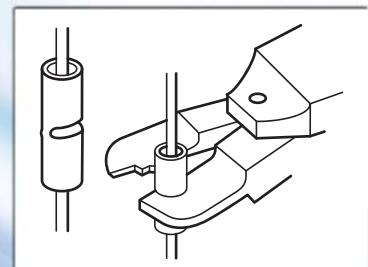
**! Utmost Care**  
**Handling care due to its powerful magnet.**




 For various types of de-dating

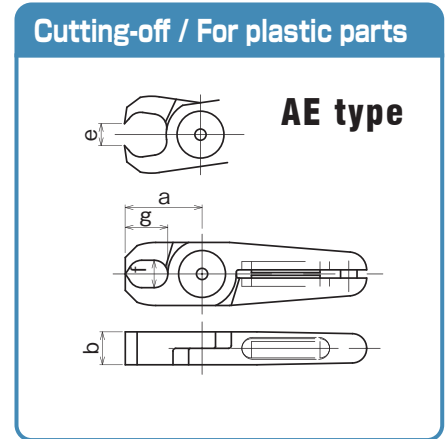
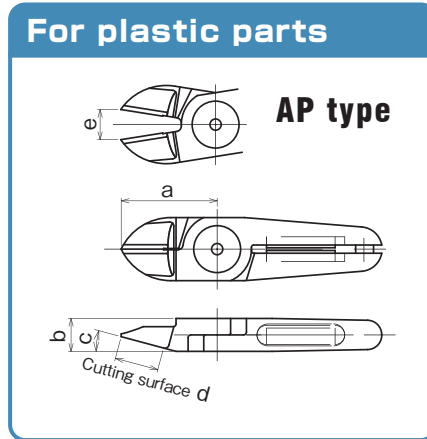
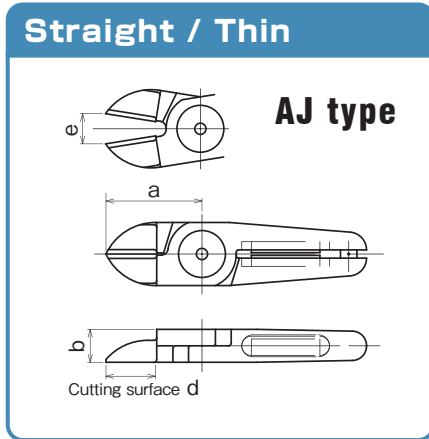


 For preformed plastic cutting parts



 Crimping, etc.  
Also available for spec. blade.

## SPECIFICATIONS



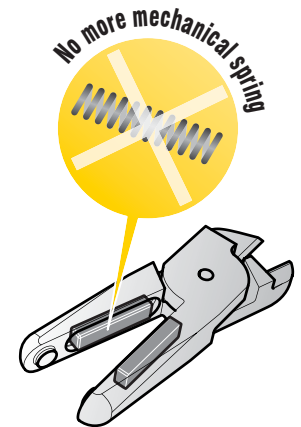
Soft resin (mmΦ)	Hard resin (mmΦ)	Nipper body	Model	Dimensions (mm)						Weight (g)	Order No.
				a	b	c	d	e	f × g		
7.0	5.0	GT-N20	NM20AJ	35	12	18.0	11.0			116	360246
7.0	5.0	GT-NS20	NM20AP	35	12	15	16.0	11.0		124	360247
7.0	5.0	GT-NR20	NM20AE	28	12	12.0	8.0	10 × 15.5		129	360248
10.0	6.5	GT-N30	NM30AJ	52	17	28.0	11.0			360	360261
10.0	6.5	GT-NS30	NM30AP	66	17	15	38.0	16.0		380	360262
10.0	6.5	GT-NR30	NM30AE	45	17	17.0	12.0	13 × 28		358	360263

### Available for custom-made blade.

Contact us for your spec. blades.

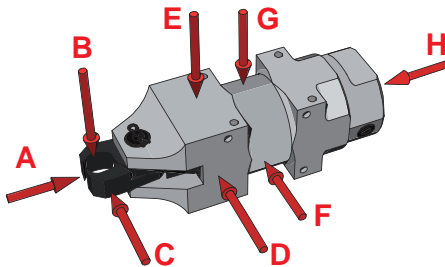
● CAD drawings are also available on VESSEL homepage as well as nipper and blade model selection system.

<http://www.vessel.co.jp/anp/>



### Result of magnetic force measurement.

If a magnetic sensor is installed nearby for operation check, please confirm the magnetic force level in the following diagram.



	A	B	C	D	E	F	G	H
NM20AE	85	10	10	5	32	5	2	0
NM30AE	34	8	8	6	42	15	30	3

Measurement unit: Gauss / Measuring device: Gaussmeter GM-1200 manufactured by DENSHIJIKI INDUSTRY Co., Ltd., Japan

## Kaizen (Improvement) by NM blades

1. Ideal for automated operations as NM blades eliminate the possibility of unexpected spring breakage. Its magnetism designed not to influence sensors.
2. Powerful neodymium magnets push the nipper blade open. Magnetic decay is practically nought (approx. few percent in 20 years).
3. NM blades can replace our previous air nipper blades as they are compatible with our standard nipper bodies; GT-N20 and GT-N30.



### ⚠ WARNINGS

- Do not use NM blades in places where temperature becomes high as magnetic force will attenuate. (Recommended temperature: Normal to 50 degrees Celsius)
- Do not heat or tamper with the NM blades or the incorporated magnets, as it may weaken the magnetic force.
- Keep any products or objects, which may be affected by magnetism, such as watches and credit cards, away from NM blades.
- NM air nipper blades are not suitable for cutting metal objects, as its blade is slightly magnetized.



For improvement, the specifications shown above are subject to change without notice.

Manufactured by  
**VESSEL CO., INC.**

17-25, Fukae-Kita 2-chome,  
Higashinari-ku, Osaka 537-0001 Japan  
Tel : +81 6 6976 7778 Fax : +81 6 6972 9441  
E-mail : [export@vessel.co.jp](mailto:export@vessel.co.jp)  
URL : <http://www.vessel.jp>

Distributed by

Printed in Japan

10010021.00