

# SP-7620

## SHORT RECIPRO SAW GEAR DRIVEN SYSTEM

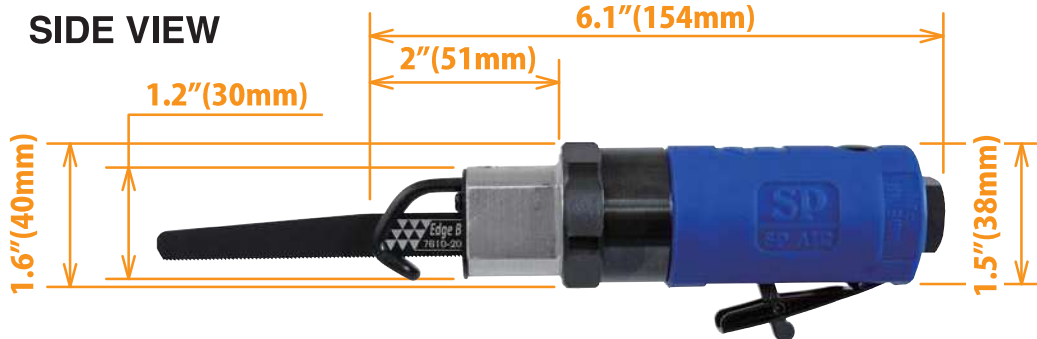
- The reduced vibration from the Air Motor and Gear driven system of the reciprocating air saw allows for a smoother, more comfortable cut.
- Powerful enough to cut steel, FRP, rubber and resin objects such as bumpers.



MADE IN JAPAN



### Dimension



### SPECIFICATIONS

Strokes per Minute : 7,500  
 Stroke : 0.24" (6mm)  
 Weight : 1lbs (0.45kg)  
 Overall Length : 6.1" (152mm)

### Tool Cutaway

